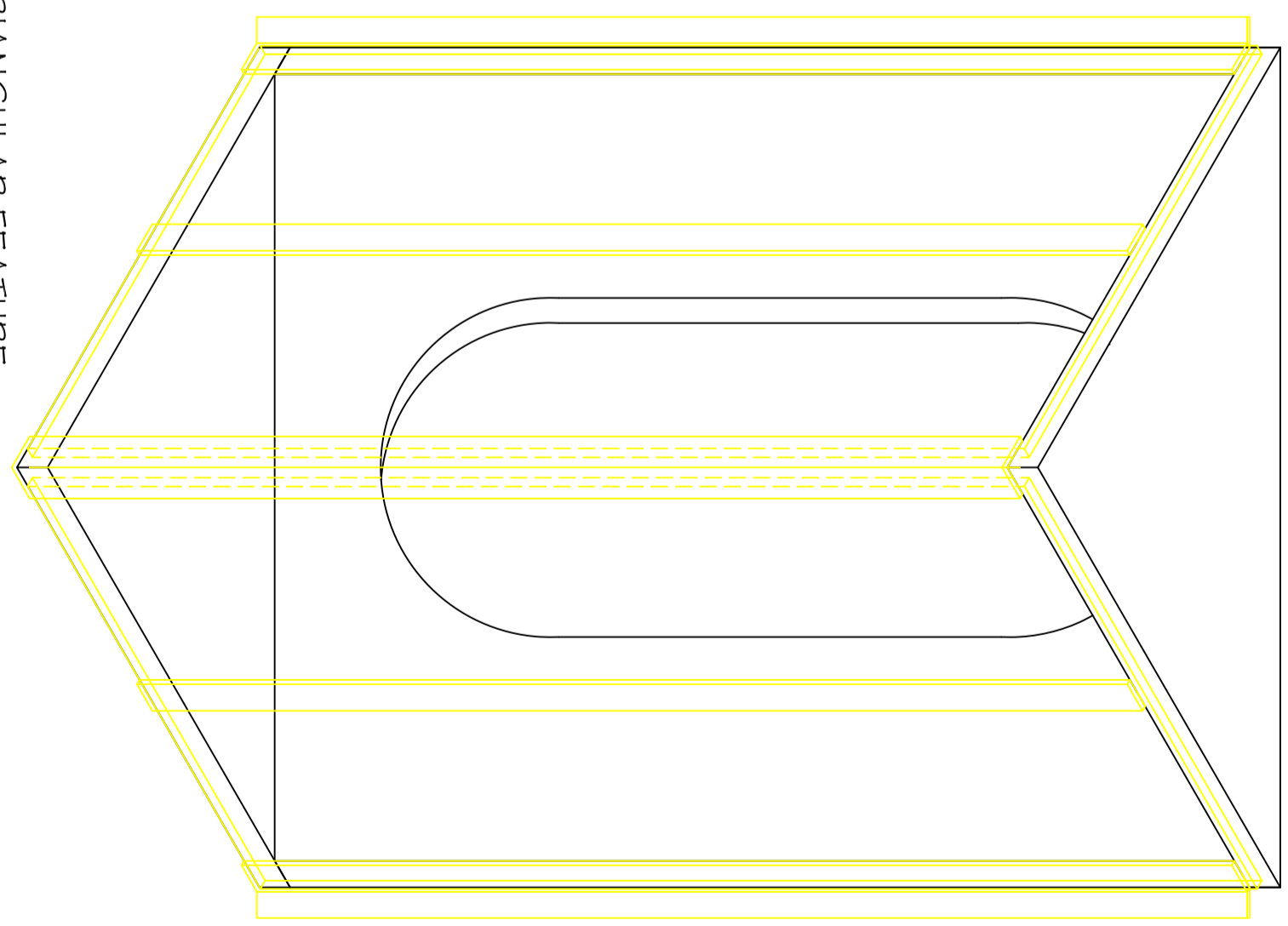
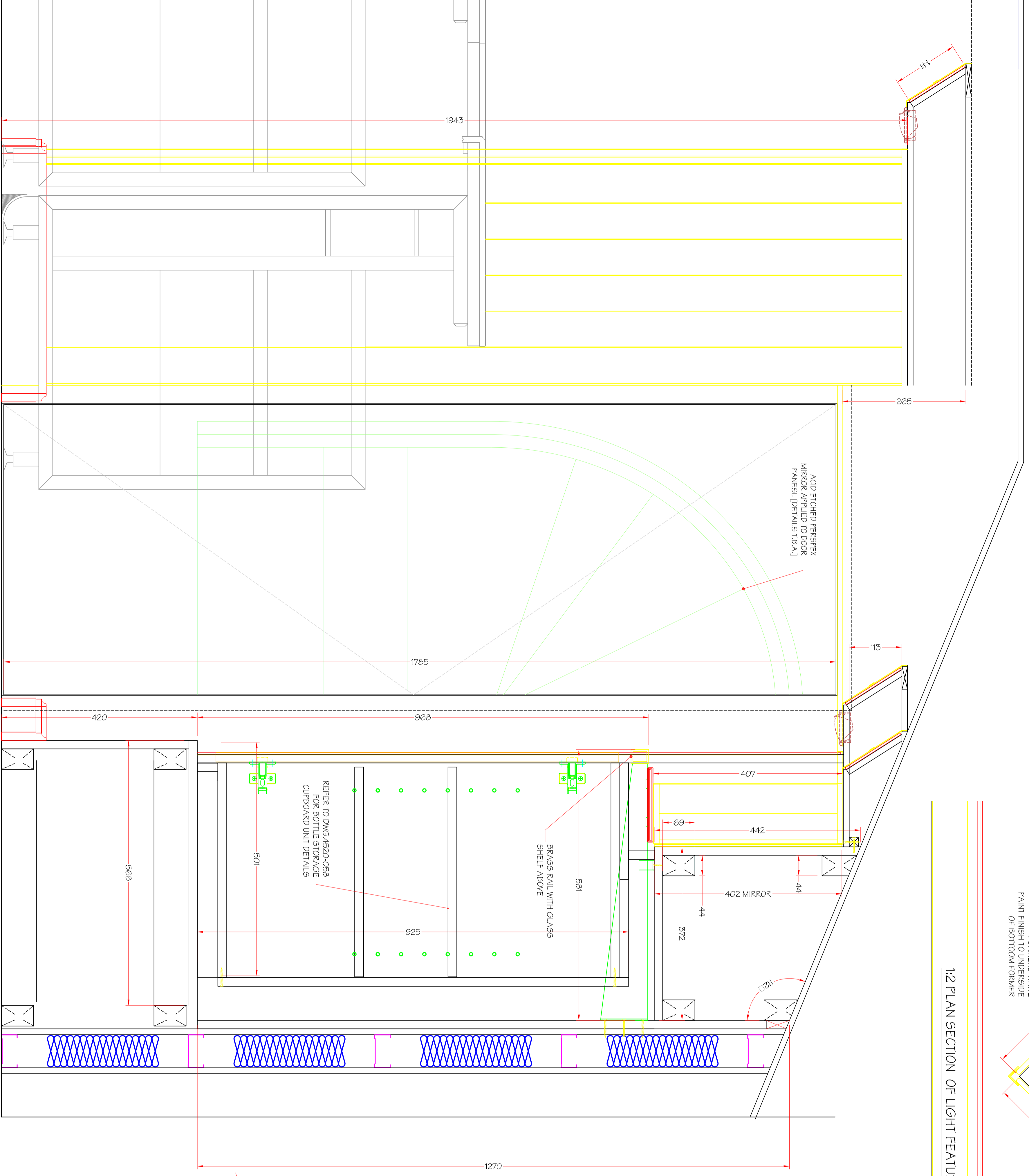


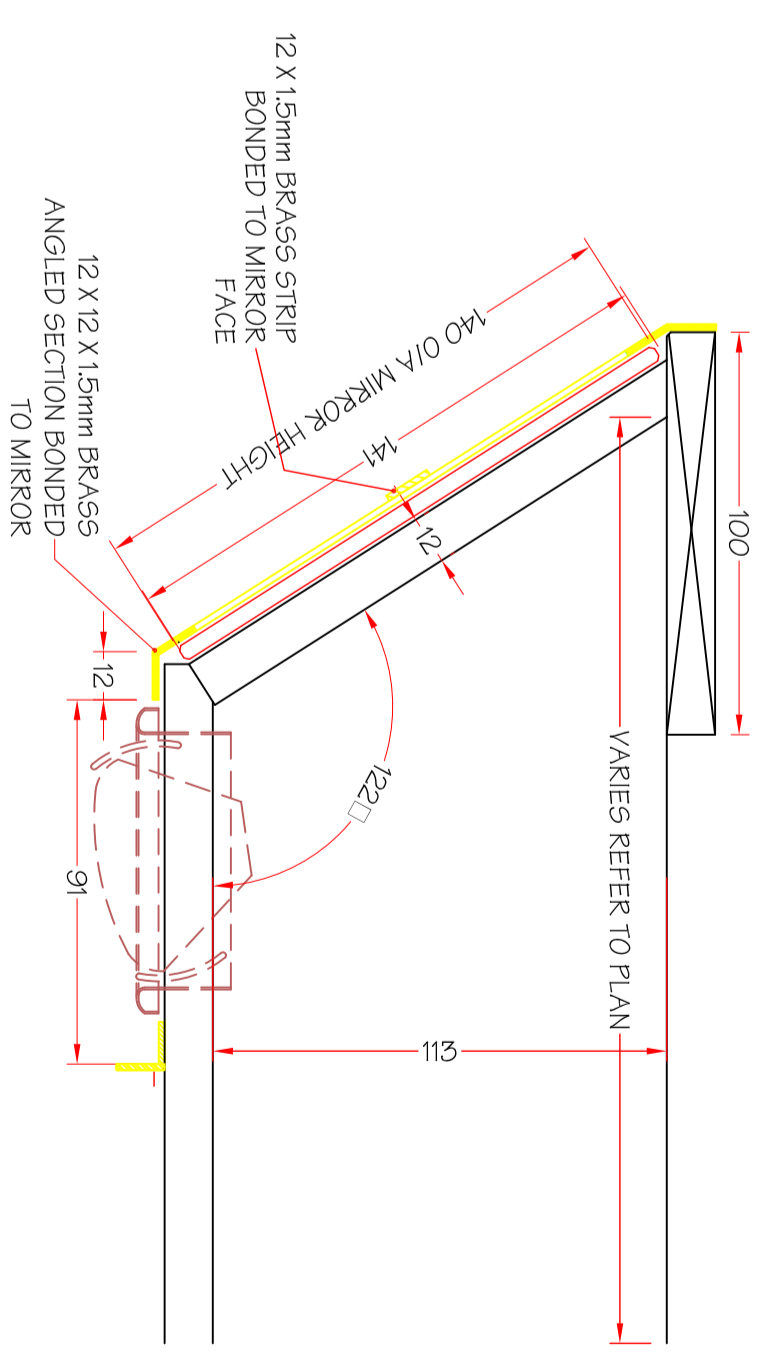
1:2 PLAN SECTION OF LIGHT FEATURE



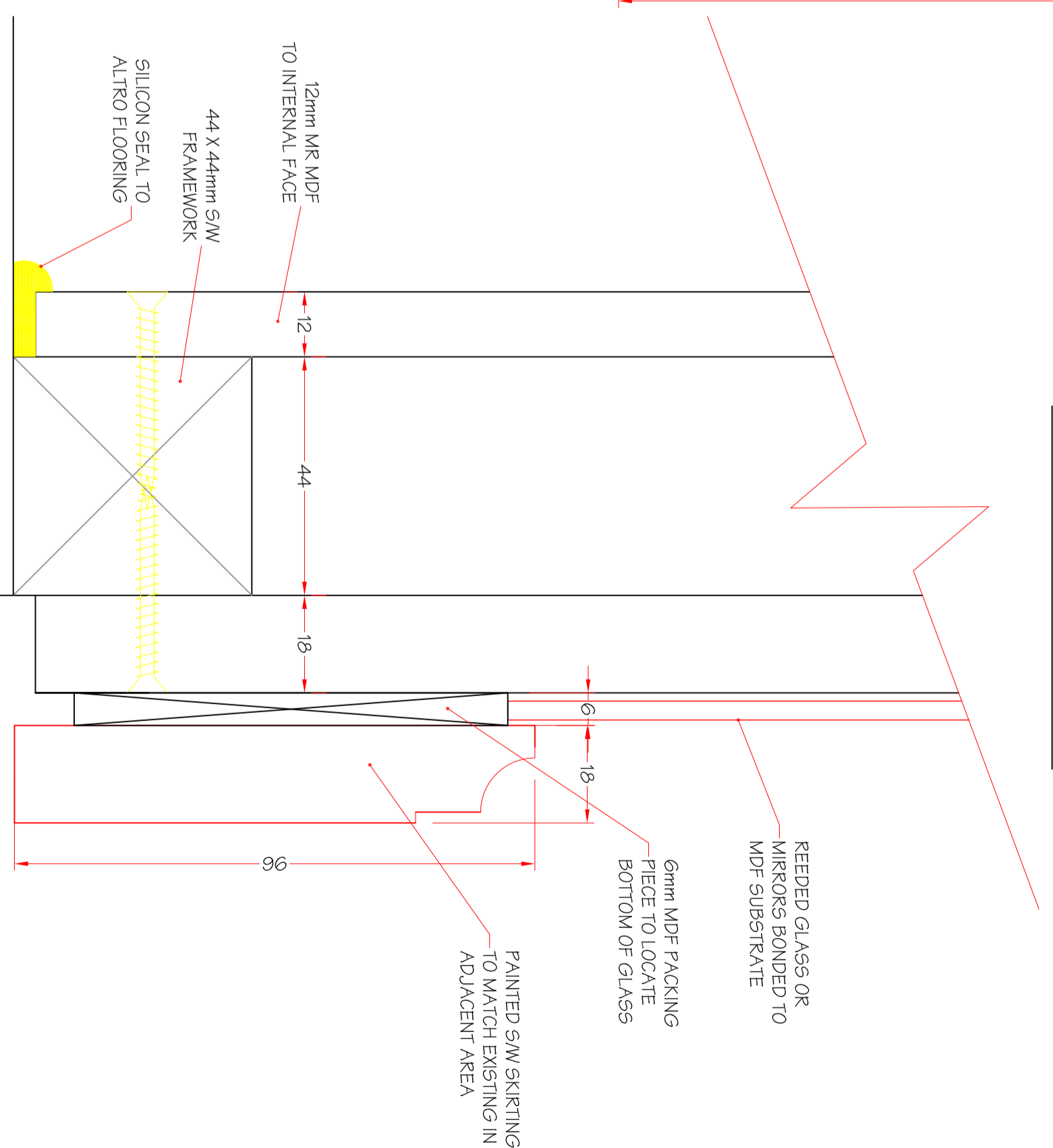
ISOMETRIC DETAIL TRIANGULAR FEATURE.



1:10 SECTION THRU BAR @ 'DD'



1:2 SECTION THRU CANOPY



FULL SIZE DETAIL AT SKIRTING LEVEL

NOTES

DRAFT ISSUE FOR COMMENT

PROJECT		VIVID INTERIORS PRINCE EDWARD THEATRE	
JOINERY REF'	SCALE	1:1-2-10 @ A1	
DATE	DRAWN:	CDB	
	CHECKED:		
TITLE ENTRANCE FOYER WINE BAR SECTION THRU & DETAILS OF WINE BAR			
DRAWING NUMBER	REVISION		
4520/067			
STORAGE CUPBOARD INTRODUCED - LIGHT FEATURE		07/11	
ALTERED		2004	