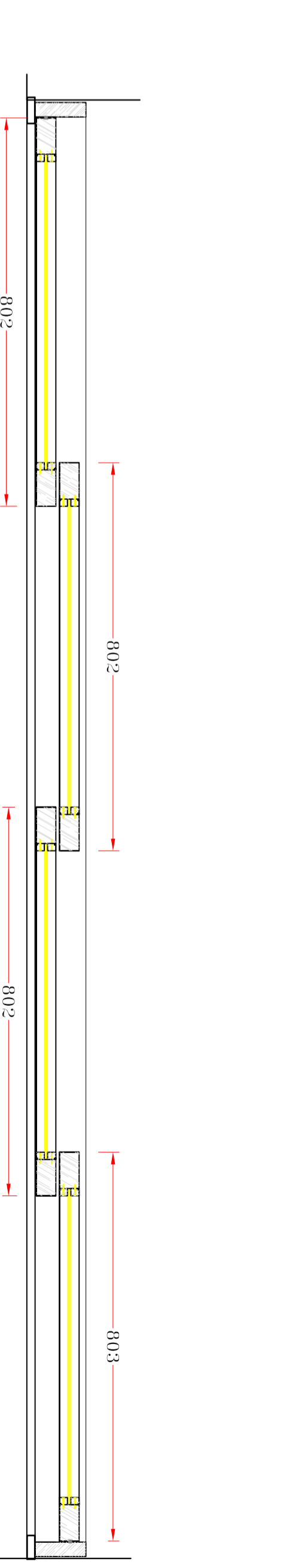
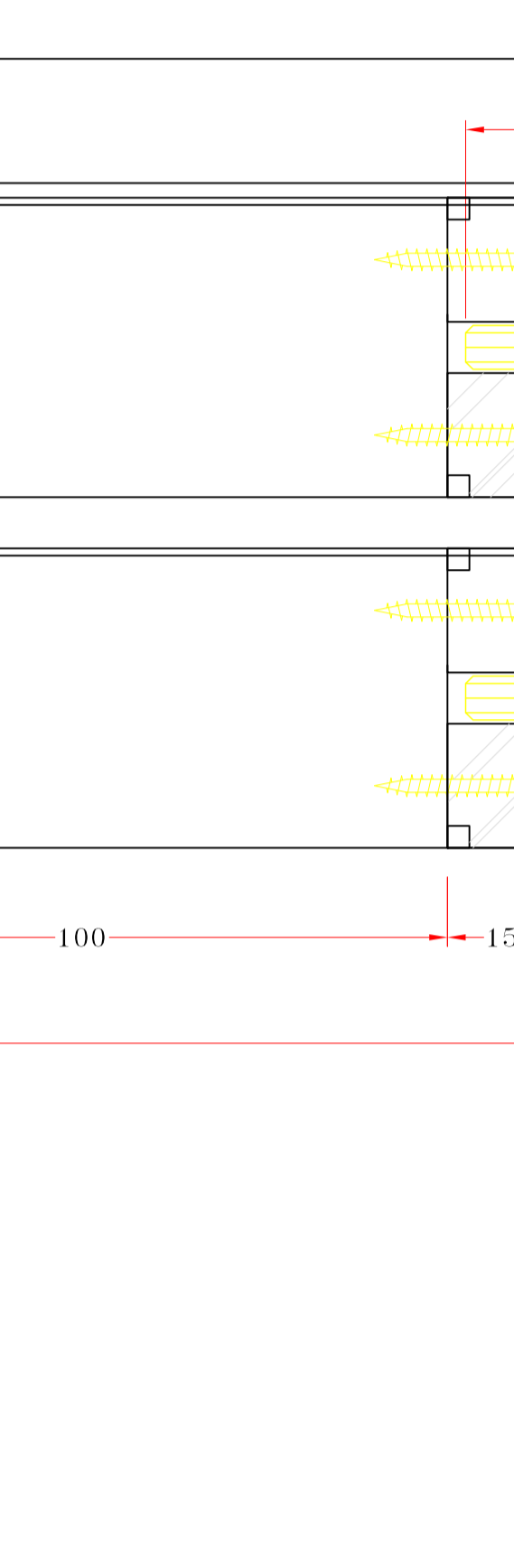
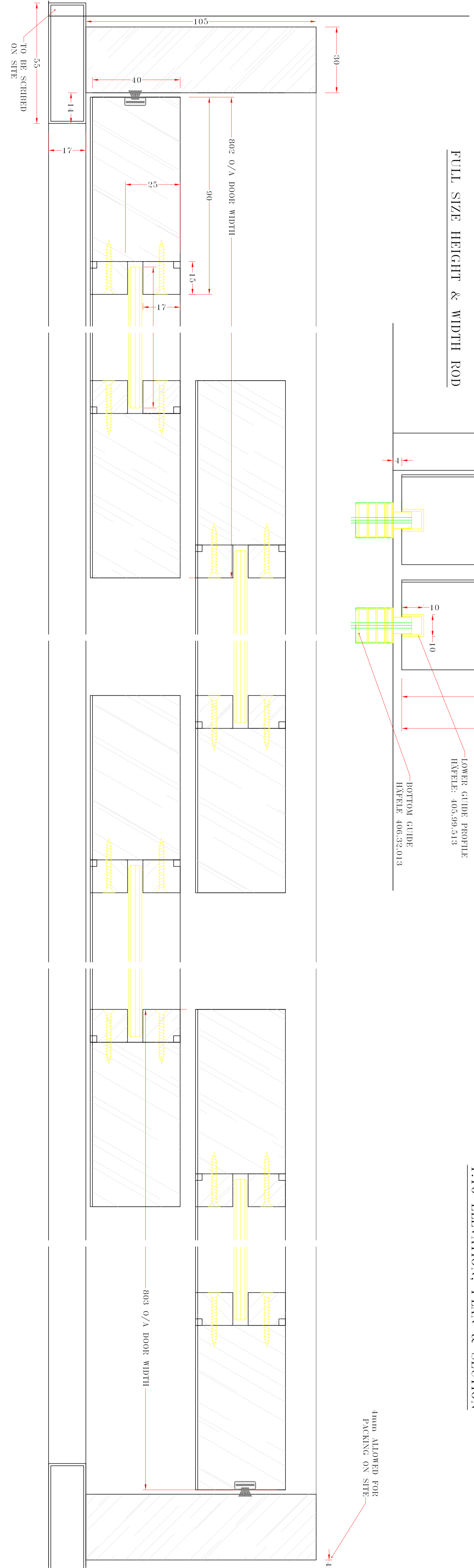


FULL SIZE HEIGHT & WIDTH ROD



1:10 ELEVATION, PLAN & SECTION



REV.	DATE	DESCRIPTION
E		
D		
C		
B		

ISSUE	DRAFT ISSUE
NOTES	HANDLES T.B.A.
DRAWN BY	CDB
SCALE	1:1-10 @A1
CUSTOMER	HV
DESCRIPTION	PROPOSED WARDROBE FRONT 3008 X 2480 mm OPENING
FINISH	MAPLE VENEER
DRWG No.	LW-025
REV.	